

MODEL	COMMANDER	DEST	CHASSIS NO.	MODEL	COMMANDER	DEST	CHASSIS NO.
KV-28FQ75A	RM-893	ET	SCC-Q45B-A	KV-32FQ75A	RM-893	ET	SCC-Q45C-A
KV-28FQ75B	RM-893	FR	SCC-Q44B-A	KV-32FQ75B	RM-893	FR	SCC-Q44C-A
KV-28FQ75D	RM-893	AEP	SCC-Q41E-A	KV-32FQ75D	RM-893	AEP	SCC-Q41F-A
KV-28FQ75E	RM-893	ESP	SCC-Q43C-A	KV-32FQ75E	RM-893	ESP	SCC-Q43B-A
KV-28FQ75U	RM-893	UK	SCC-Q46B-A	KV-32FQ75U	RM-893	UK	SCC-Q46A-A

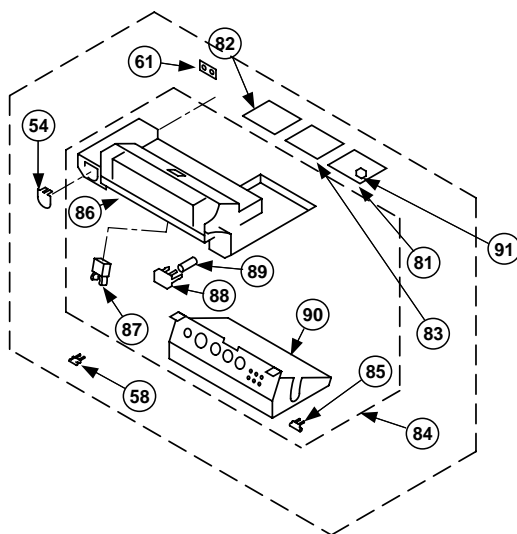
CORRECTION - 1

SUBJECT : CHANGES TO FRONT CONTROL ASSEMBLY

File this correction with the service manual

INTRODUCTION : Changes in the structure of the front control assembly.

SECTION 6-2. PICTURE TUBESee page 113



REF. NO.	PART.NO	DESCRIPTION	REMARK
51	X-4200-609-3	BEZNET ASSY (KV-28FQ75)	
	X-4200-576-2	BEZNET ASSY (KV-32FQ75)	
54	4-205-463-11	WINDOW, ORNAMENTAL	
58	4-202-555-01	SHAFT, DOOR	
61	4-205-464-11	GUIDE, LIGHT	
71	4-057-303-03	HOLDER, DGC (KV-28FQ75)	
	4-059-569-02	HOLDER, DGC (KV-32FQ75)	
72	△ 1-251-317-63	CAP ASSY, HIGH-VOLTAGE	
81	*A-1624-085-A	F3 BOARD, COMPLETE	
82	*A-1646-210-A	H5 BOARD, COMPLETE	
83	*A-1646-211-A	H6 BOARD, COMPLETE	
84	*X-4200-632-2	BRACKET ASSY	85-90
85	3-022-410-31	DAMPER	
86	*4-205-460-11	BRACKET, CONTROL	
87	4-047-464-01	CATCHER, PUSH	
88	4-205-462-12	BUTTON, POWER	
89	4-202-964-11	SPRING	
90	*4-205-461-11	BRACKET DOOR	